

Grooming Arm Scuff Ball - Installation

The Shor-Line grooming arm lower slide stop stud and the bottom end plug (if applicable) have to be removed. The Scuff Ball, Bolt and Tube Insert Nut (with teeth) will be assembled and pushed into and over the end of the arm tube.



WARNING

WEAR PERSONAL PROTECTIVE EQUIPMENT (PPE), such as, but not limited to, eye protection, protective gloves and Metatarsal/foot protection during installation. Failure to do so could result in SERIOUS INJURY or DEATH.



CAUTION

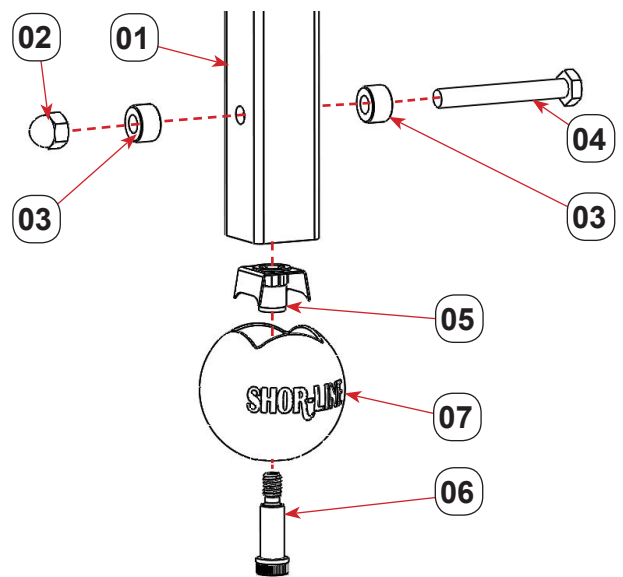
This product is intended to be used for animals only. Do NOT use for anything other than the intended purpose.

Keep hands clear of possible pinch areas during installation, which if not avoided, could result in MINOR to MODERATE INJURY.

Stainless steel has sharp edges, stay clear of and DO NOT TOUCH exposed edges which, if not avoided, could result in MINOR to MODERATE INJURY.

NOTICE

The grooming arm must be installed onto the grooming table before installing the scuff ball.

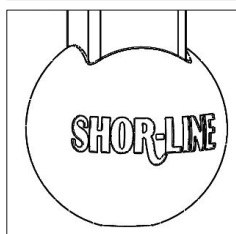


Item	Part #	Description
01	EXISTING	Grooming Arm
02	064.2500.16	Acorn Nut - Arm Slide Stop
03	310.0739.00	Spacer - Arm Slide Stop
04	062.2520.03	1/4x2" Long Hex Screw - Arm Slide Stop
05		Tube Insert Nut - Scuff Ball
06	062.3107.09	1/4x3/4" Long Shoulder Bolt - Scuff Ball
07	181.3220.00	Grooming Arm Scuff Ball - Scuff Ball

STEP 1: Thread the Shoulder Bolt through the bottom hole of the Scuff Ball and into the Insert Nut (teeth towards bolt) until the Insert Nut is just below the top of the Scuff Ball.



STEP 2: Carefully align and insert the Scuff Ball assembly onto the end of the grooming arm. Apply pressure and work (wiggle) until the ball is seated to the bottom of the arm.



STEP 3: Tighten (tool provided) the Shoulder Bolt to secure the Scuff Ball in place. Do NOT over-tighten.

NOTICE

The Shoulder Bolt head should be recessed into the Scuff Ball. If the Bolt head is exposed it can cause damage to floor surfaces.

STEP 4: Slide one of the Spacers onto the Arm Slide Stop Screw and insert through the hole in the tube.

STEP 5: Insert the second spacer onto the screw.

STEP 6: Thread the Acorn Nut onto the Bolt, tighten. Do NOT over-tighten.

